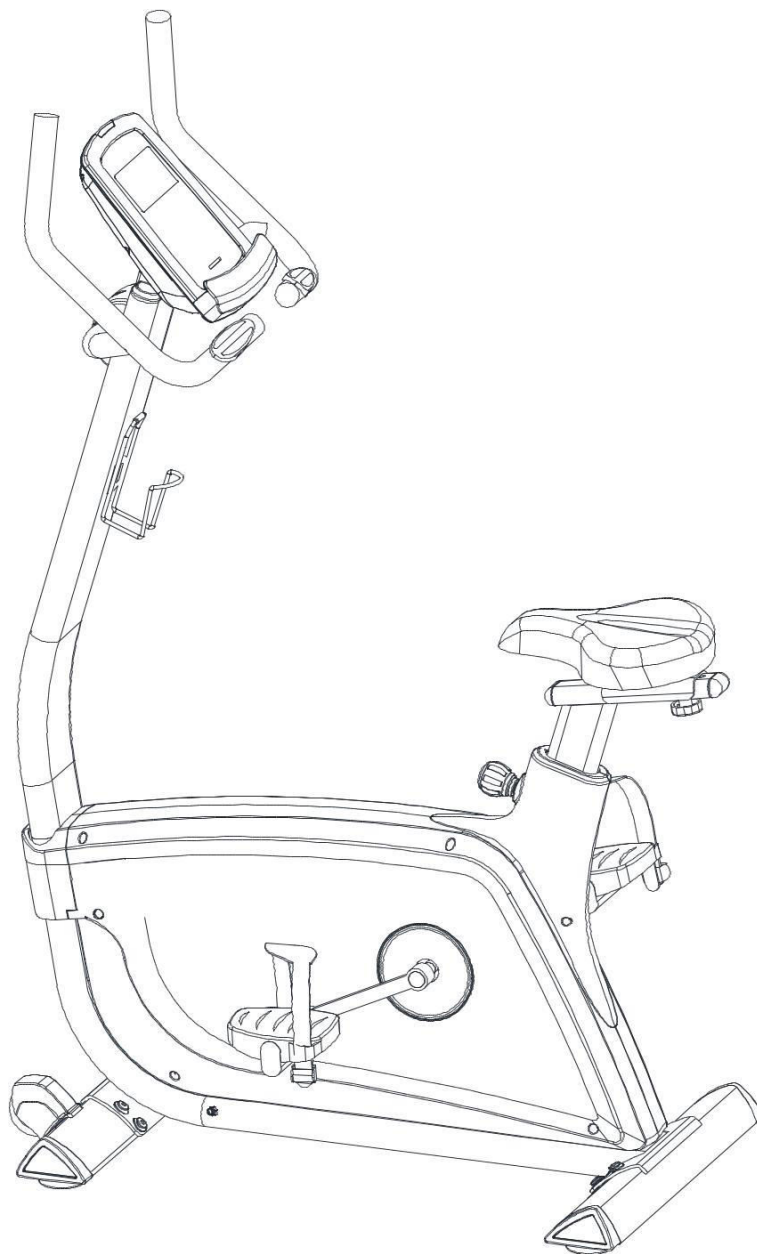




USER MANUAL – EN
IN 8723 Exercise Bike inSPORTline UB600i



CONTENTS

SAFETY INSTRUCTIONS.....	3
IMPORTANT NOTES	3
EXPLODED DRAWING.....	4
PARTS LIST	5
CHECK LIST	8
ASSEMBLY	9
SM2570 INSTRUCTION MANUAL	15
iConsole+Training APP	19
USE	19
CORRECT BODY POSTURE	20
MAINTENANCE	20
STORAGE	20
IMPORTANT NOTICE.....	20
ENVIRONMENT PROTECTION	20
TERMS AND CONDITIONS OF WARRANTY, WARRANTY CLAIMS.....	21



SAFETY INSTRUCTIONS

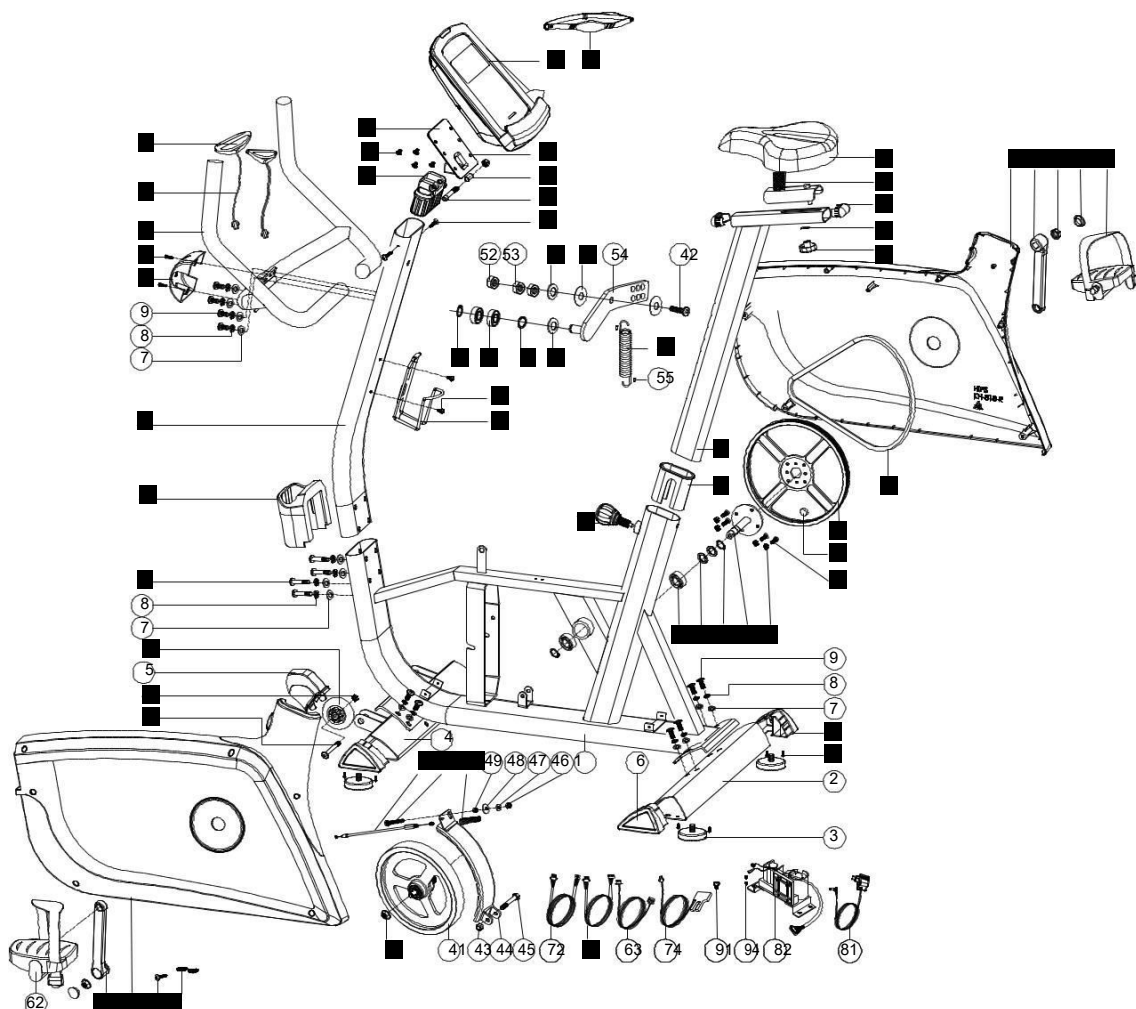
- To ensure the best safety of the exerciser, regularly check it on damages and worn parts.
- If you pass on this exerciser to another person or if you allow another person to use it, make sure that that person is familiar with the content and instructions in these instructions.
- Only one person should use the exerciser at a time.
- Before the first use and regularly make sure that all screws, bolts and other joints are properly tightened and firmly seated.
- Before you start your work-out, remove all sharp-edged objects around the exerciser.
- Only use the exercise for your work-out if it works flawlessly.
- Any broken, worn or defective part must immediately be replaced and/or the exerciser must no longer be used until it has been properly maintained and repaired.
- Parents and other supervisory persons should be aware of their responsibility, due to situations which may arise for which the exerciser has not been designed and which may occur due to children's natural play instinct and interest in experimenting.
- If you do allow children to use this exerciser, be sure to take into consideration and assess their mental and physical condition and development, and above all their temperament. Children should use the exerciser only under adult supervision and be instructed on the correct and proper use of the exerciser. The exerciser is not a toy.
- Make sure there is sufficient free space around the exerciser when you set it up.
- To avoid possible accidents, do not allow children to approach the exerciser without supervision, since they may use it in a way for which it is not intended due to their natural play instinct and interest in experimenting.
- Please note that an improper and excessive work-out may be harmful to your health.
- Please note that levers and other adjustment mechanisms are not projecting into the area of movement during the work-out.
- When setting up the exerciser, please make sure that the exerciser is standing in a stable way and that any possible unevenness of the floor is evened out.
- Always wear appropriate clothing and shoes which are suitable for your work-out on the exerciser. The clothes must be designed in a way so that they will not get caught in any part of the exerciser during the work-out due to their form (for example, length). Be sure to wear appropriate shoes which are suitable for the work-out, firmly support the feet and which are provided with a non-slip sole.
- Be sure to consult a physician before you start any exercise program. He may give you proper hints and advice with respect to the individual intensity of stress for you as well as to your work-out and sensible eating habits.
- Maximal weight: 200kg.
- Category SC (EN957), for half professional home and club use.

IMPORTANT NOTES

- Assemble the exerciser as per assembly instructions and be sure to only use the structural parts provided with the exerciser and designed for it. Prior to the assembly, make sure the contents of the delivery is complete by referring to the parts list of the assembly and operating instructions.

- Be sure to set up the exerciser in a dry and even place and always protect it from humidity. If you wish to protect the place particularly against pressure points, contamination, etc., it is recommended to put a suitable, non-slip mat under the exerciser.
- The general rule is that exercisers and training devices are no toys. Therefore, they must only be used by properly informed or instructed persons.
- Stop your work-out immediately in case of dizziness, nausea, chest pain or any other physical symptoms. In case of doubt, consult your physician immediately.
- Children, disabled and handicapped persons should use the exercise only under supervision and in presence of another person who may give support and useful instructions.
- Be sure that your body parts and those of other persons are never close to any moving parts of the exerciser during its use.
- When adjusting the adjustable parts, make sure they are adjusted properly and note the marked, maximum adjusting position, for example of the saddle support, respectively.
- Do not work out immediately after meals!

EXPLODED DRAWING



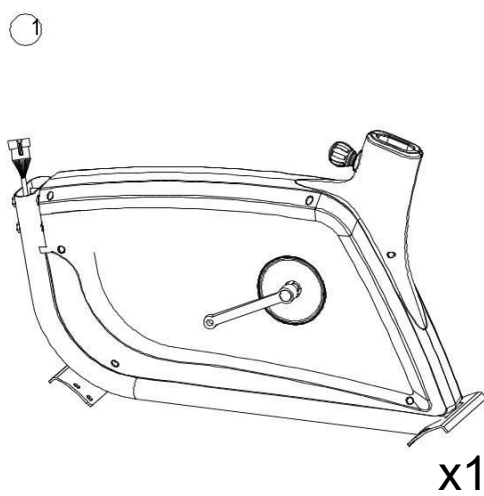

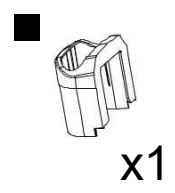
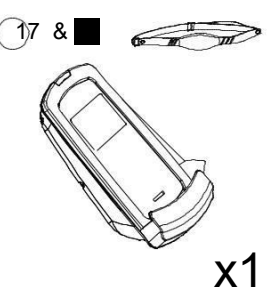
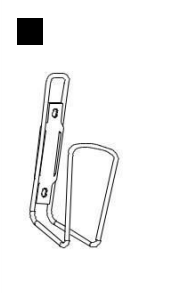
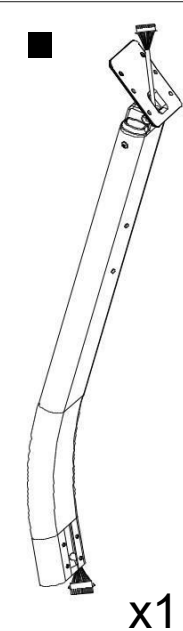
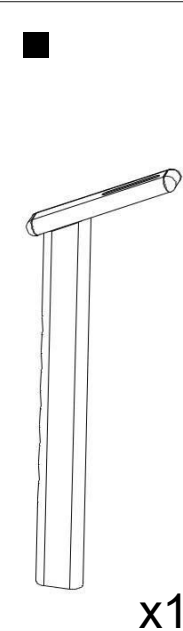
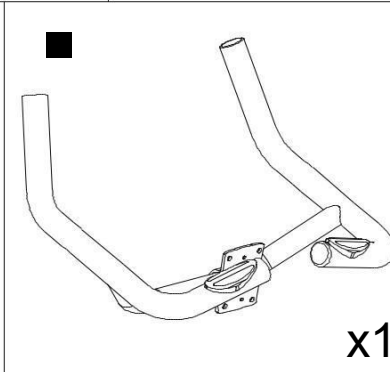
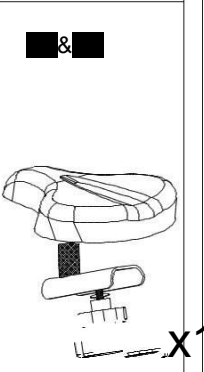
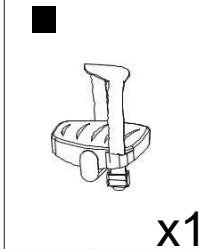
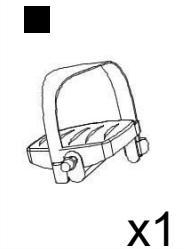

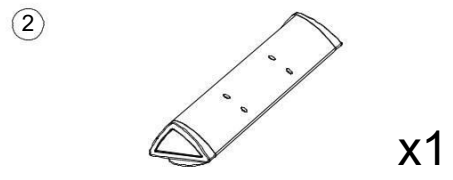
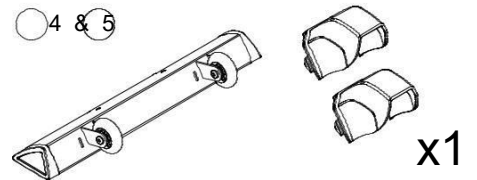
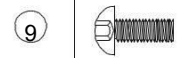




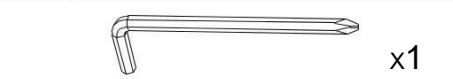
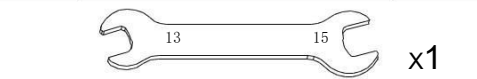
PARTS LIST

Part No.	Description	Qty
1	Main frame	1
2	Rear stabilizer	1
3	Adjustable wheel	4
4	Front stabilizer	1
5	Cover for wheel	2
6	Tri-angle cap(left)	2
7	Flat washer D16xD8.5x1.2T	16
8	Spring washer D15.4xD8.2x2T	16
9	Allen bolt M8x1.25x20L	14
10	Seat LS-A28	1
11	Seat adjustment	1
12	Fixing plate for computer	1
13	Computer bracket	1
14	Oval cap	2
15	Flat washer D25xD8.5x2T	1
16	Club knob	1
17	Computer SM-2570-31	1
18	C-clip D22.5*D18.5*1.2T	2
19	Bolt M5*0.8*15L	2
20	Bolt M5x0.8x15L	2
21	Belt	1
22	Waved washer D27*D21*0.3T	1
23	Water bottle holder	1
24	Belt wheel	1
25	Bolt M6x1.0x15L	4
26	Nylon nut M6x1.0x6T	4
27	Crank axle	1
28	Upper protective cover	1
29	Handlebar post	1
30	Allen bolt M8*1.25*50L	4
31	Allen bolt M8*1.25*40L	2
32	Fixed handlebar	1
33	Screw cover D26*11L	2
34	Nylon nut M10*1.25*10T	2
35	Left crank	1
36	Left chain cover	1
37	Right chain cover	1

38	Allen screw M8*1.25*45L	1
39	Nylon nut M8*1.25*8T	1
40	Nylon nut M8*1.25*8T	2
41	Flywheel	1
42	Allen bolt M8x1.25x30L	1
43	Nylon nut M8*1.25*8T	1
44	Fixing plate for magnet	1
45	Bolt M8*52L	1
46	Nylon nut M6*1*6T	1
47	Nylon washer D6*D19*1.5T	1
48	Flat washer D13*D6.5*1.0T	1
49	Nut M6*1*6T	1
50	Spring D1.0*55L	1
51	BOLT M6*60L	1
52	Nylon nut M8*1.25*8T	1
53	Nut M8*1.25*6T	2
54	Fixing plate for idle wheel	1
55	Plastic cover	2
56	Spring D2.2*D14*65L	1
57	Plastic washer D10*D24*0.4T	2
58	Flat washer D24*D16*1.5T	1
59	Bearing #99502	2
60	C-clip S-16(1T)	1
61	Bushing D8xD12.7x23	1
62	Left pedal	1
63	Electric cable	1
64	Bolt M5x0.8x10L	4
65	Protective cover	1
66	Seat post	1
67	Handle pulse sensor	2
68	Handle pulse cable	2
69	Round magnet	1
70	Bearing #6004-2RS(C0)	2
71	Tension cable	1
72	Upper computer cable	1
73	Lower computer cable	1
74	Sensor cable	1
75	Knob	1
76	Inner tube	1

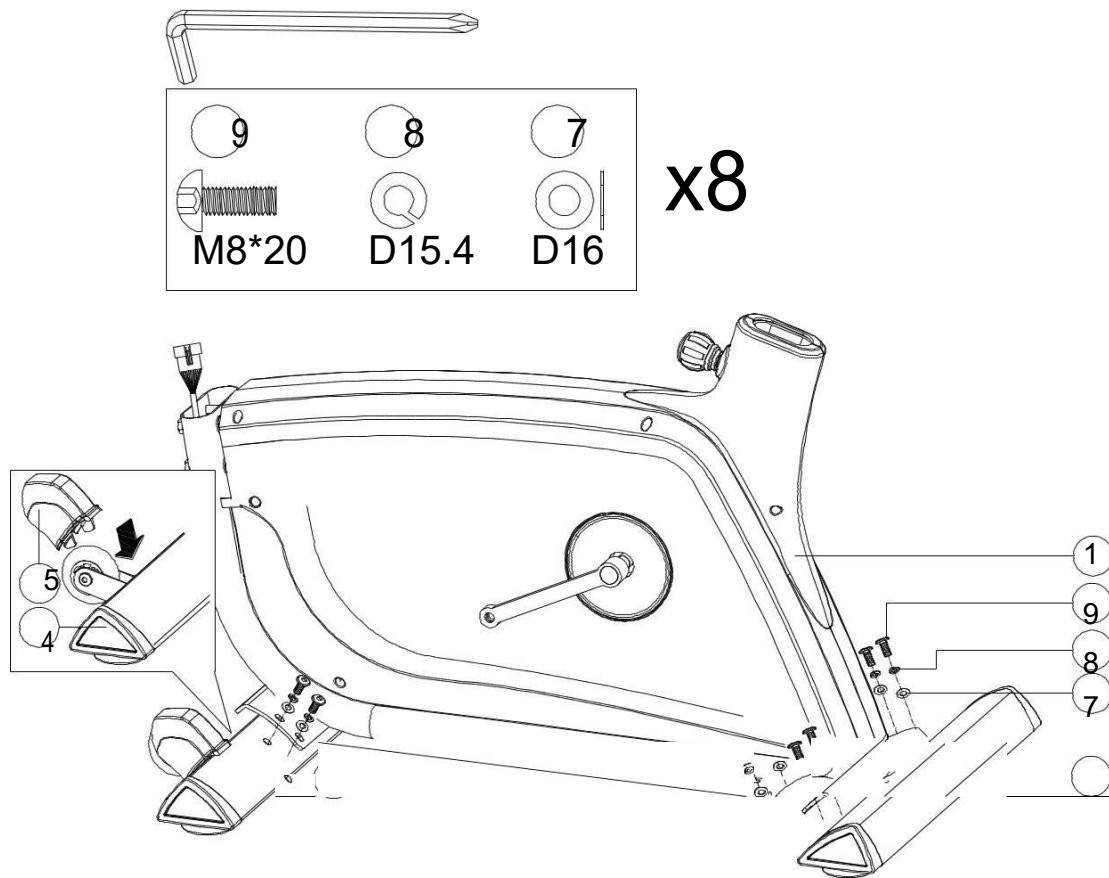
77	Flat washer D25xD8.5x2.0T	1
78	Waved washer D21xD16.2x0.3T	1
80	Anti-loosen nut 3/8"-26UNFx6.5T	2
81	Adaptor	1
82	Motor	1
83	Screw ST4.2x1.4x15L	2
84	Screw ST4.2x1.4x20L	9
86	Pin	2
87	Screw ST4*1.41*12L	8
88	Right pedal	1
89	Right crank	1
91	Bolt M5x0.8x12L	1
92	Tri-angle cap(right)	2
93	Round wheel	2
94	Screw ST4.2*1.4*15L	2
95	Chest belt	1

CHECK LIST

 <p>x1</p>		 <p>x1</p>	 <p>x1</p>
		 <p>x1</p>	
 <p>x1</p>	 <p>x1</p>	 <p>x1</p>	 <p>x1</p>
		 <p>x1</p>	 <p>x1</p>
		 <p>x1</p>	
 <p>x1</p>		 <p>x1</p>	
 <p>M8*1.25*20L</p>	x12		
 <p>M8*1.25*50L</p>	x4	 <p>D16*D8.5*1.2T</p>	x16
 <p>D15.4*D8.2*2T</p>	x16	 <p>M5*0.8*15L</p>	x2
 <p>x1</p>	 <p>x1</p>		

ASSEMBLY

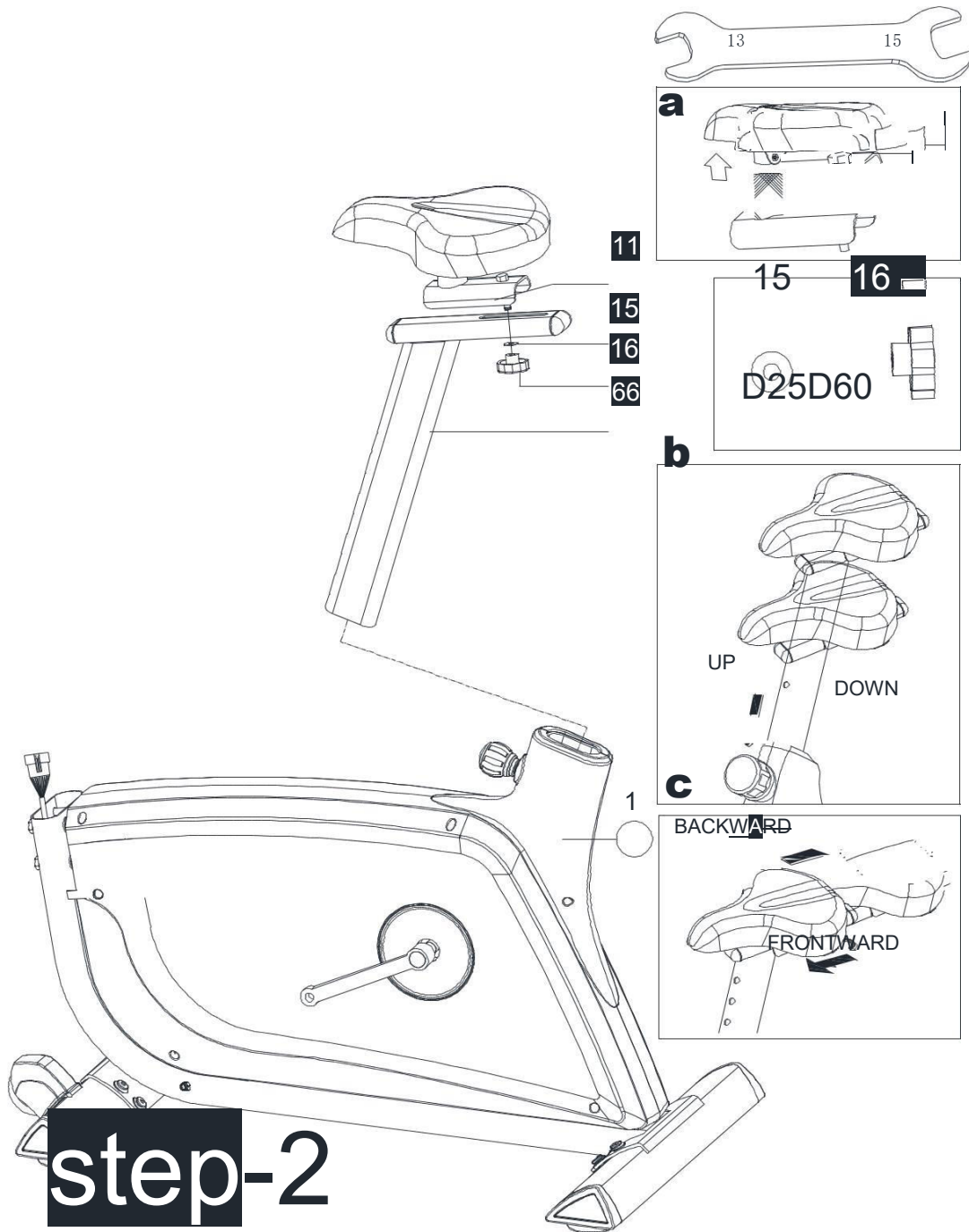
STEP 1



step-1

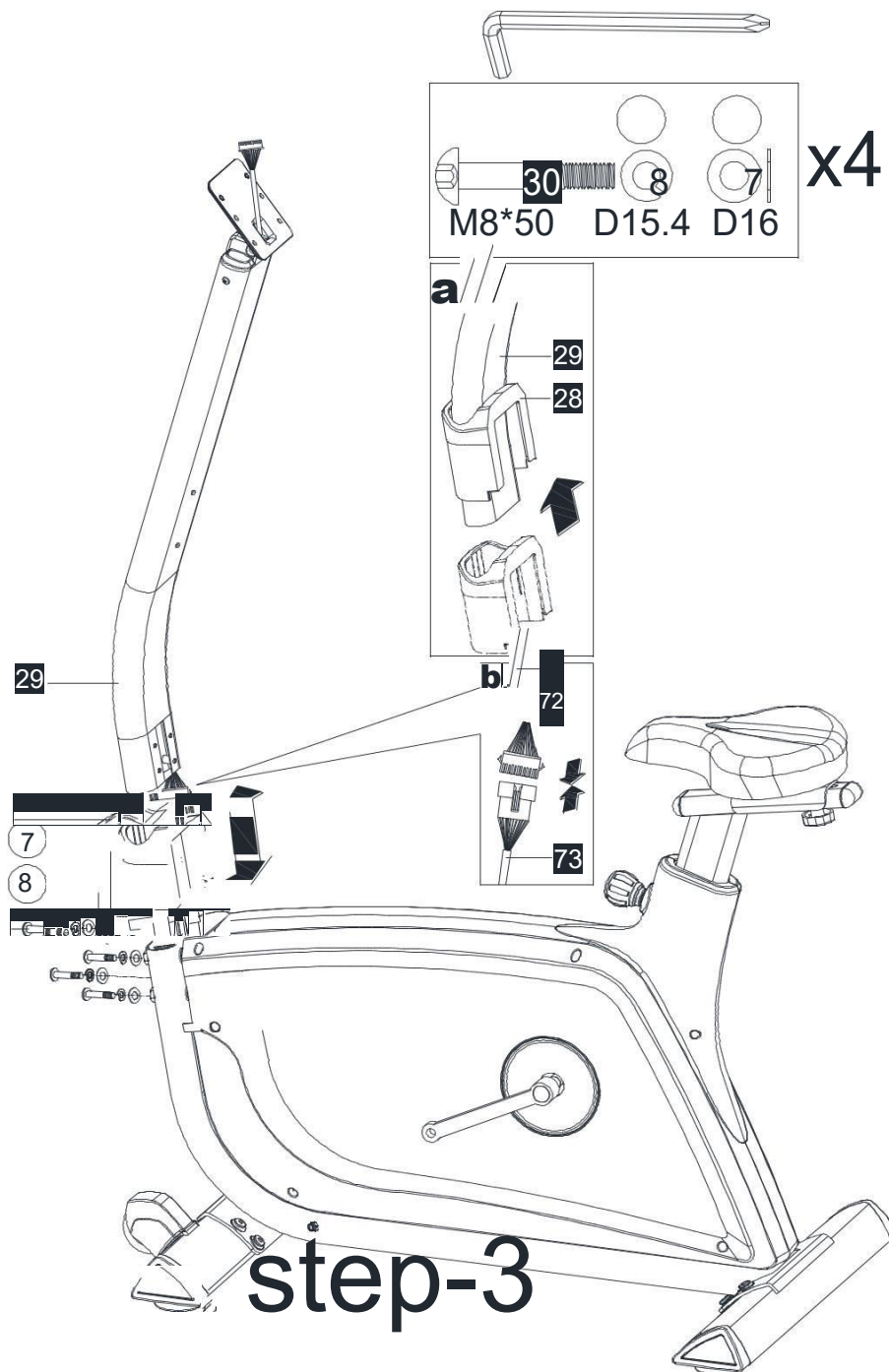
- 1) Assemble the front stabilizer (4) and rear stabilizer (2) onto the main frame (1) by using the flat washer (7), spring washer (8), and allen bolt (9).
- 2) Adjust the proper height by turning the wheel of rear foot cap (3).

STEP 2



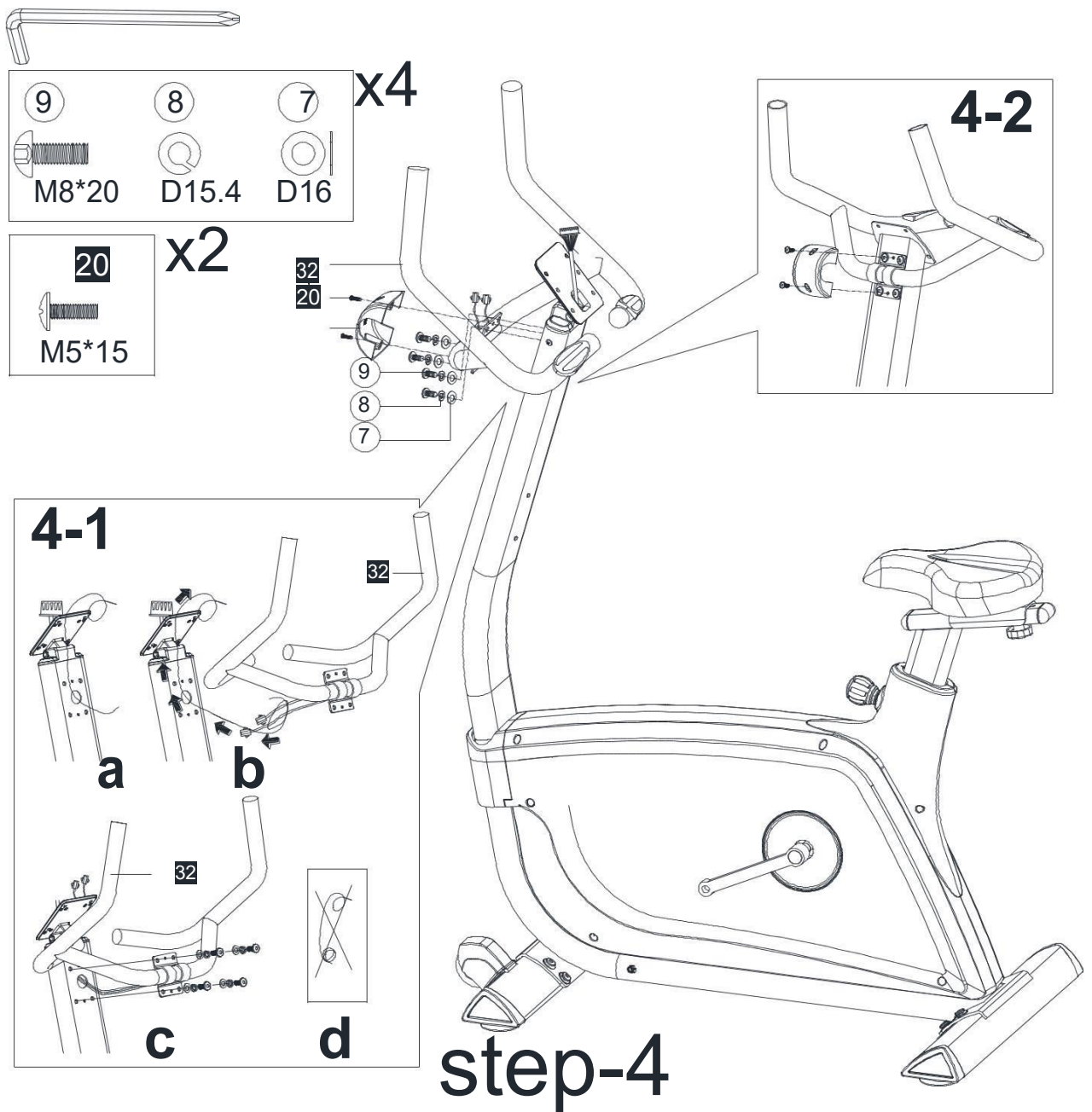
- 1) Fix the seat (10) to the seat adjustable tube (11).
- 2) Assemble the adjustable tube onto the seat post (66) by using the flat washer (15) and club knob (16) .
- 3) The seat can be adjusted up and down, frontward and backward as fig b, fig c shown.

STEP 3



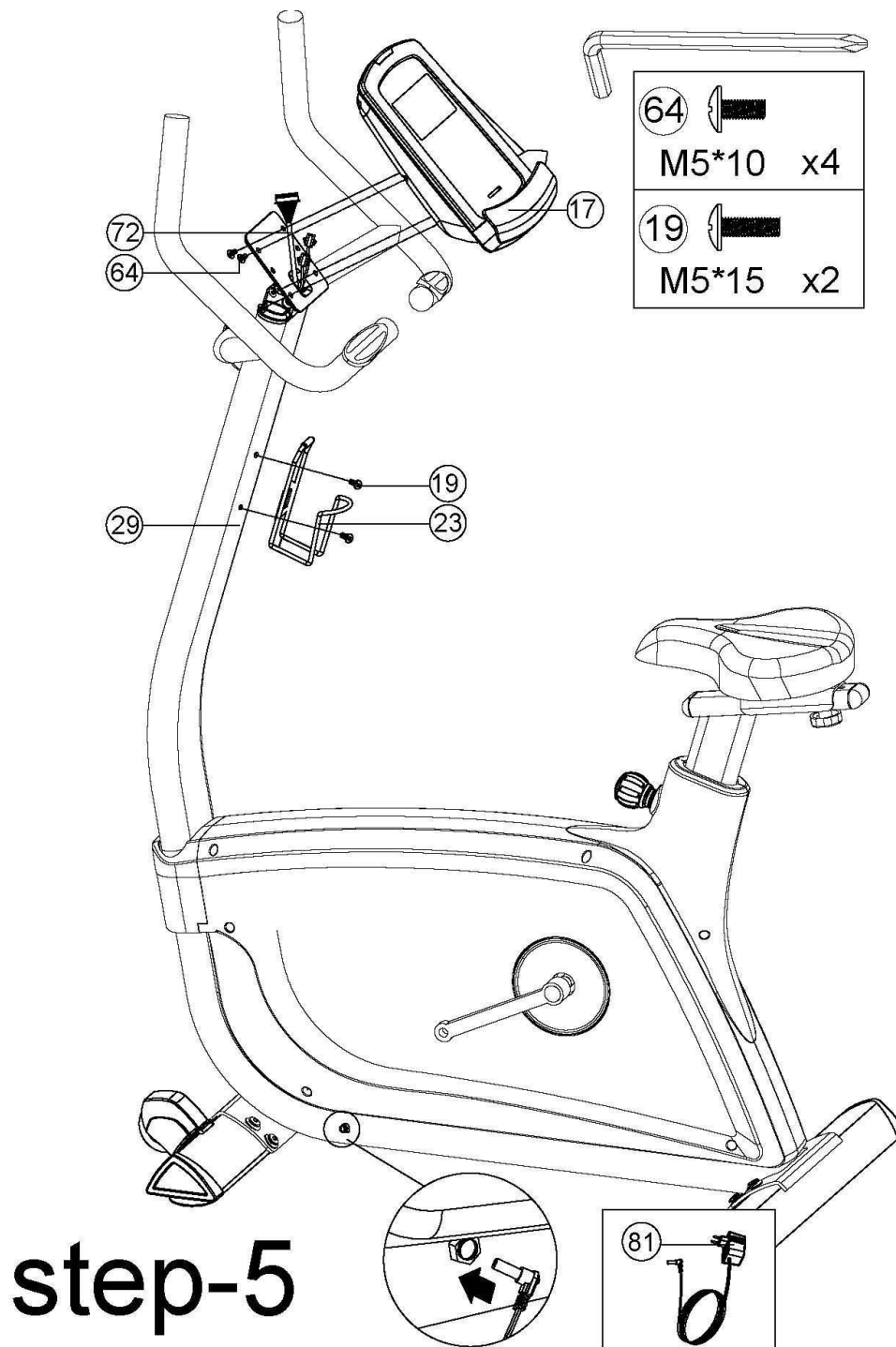
- 1) Suggest assembling this step by two persons.
- 2) First, lift up the upper protective cover (28) like fig. (a), then connect the computer cable (72 & 73) like fig.(b)
- 3) Insert the handlebar post (29) on the main frame and tighten it by using the flat washer (7), the spring washer (8) and the allen bolt (30). Place down the upper protective cover and make it tight on the main frame.

STEP 4



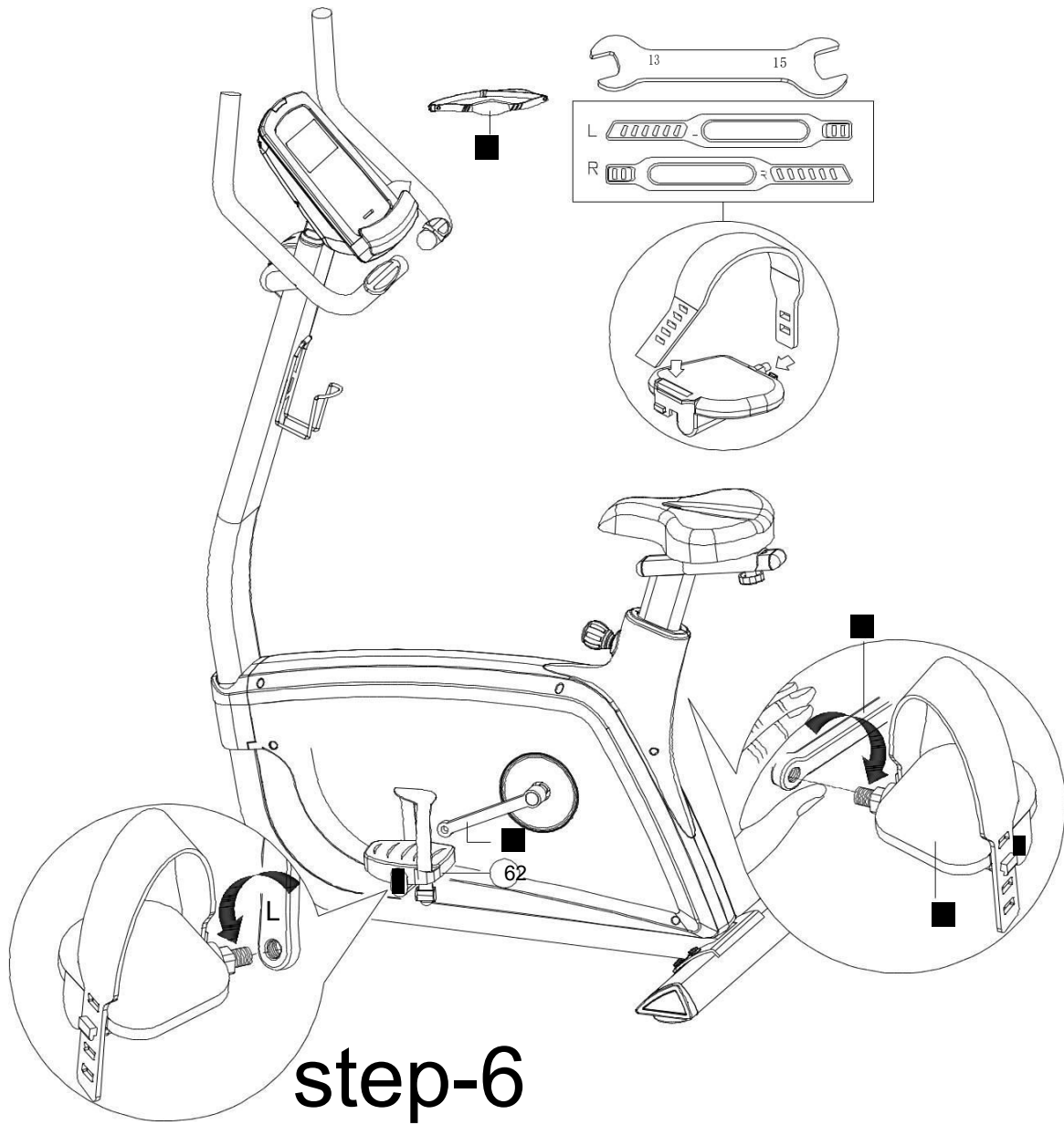
- 1) Through the cable from the hole on the handlebar bar cost as Fig 4-1 shown.
- 2) Assemble the handlebar (32) to the handlebar post (29) by using the protective cover (65), the flat washer (7), the spring washer (8), the allen bolt (9) and the bolt (20).

STEP 5



- 1) Assemble the upper computer cable (72) with computer (17) and then fixing the computer (17) on the handlebar post (29) by using the bolt (64).
- 2) Connect the adaptor (81) to the adaptor input on the rear of the bike.
- 3) Assemble the water bottle holder onto the handlebar post by bolt (19).

STEP 6



Fixing the pedal (62 & 88) to the crank (35 & 89).

SM2570 INSTRUCTION MANUAL



SUPPORT DEVICES

Support iOS devices:	Support Android devices:
<ul style="list-style-type: none"> iPod touch (5th generation) iPod touch (4th generation) iPod touch (3rd generation) iPhone 5S iPhone 5C iPhone 5 iPhone 4S iPhone 4 iPhone 3GS iPad Air iPad 4 iPad 3 iPad 2 iPad iPad Min Support iOS 5.0 or above 	<ul style="list-style-type: none"> Android tablet OS 4.0 or above Android tablet resolution 1280X800 pixels Android phone OS 2.2 or above Android phone resolution: <ul style="list-style-type: none"> 1920X1080 pixels 1280X800 pixels 1280X760 pixels 800X480 pixels

“Made for iPod,” “Made for iPhone,” and “Made for iPad” mean that an electronic accessory has been designed to connect specifically to iPod, iPhone, or iPad, respectively, and has been certified by the developer to meet Apple performance standards. Apple is not responsible for the operation of this device or its compliance with safety and regulatory standards. Please note that the use of this accessory with iPod, iPhone, or iPad may affect wireless performance.

iPad, iPhone, iPod, iPod classic, iPod nano, iPod shuffle, and iPod touch are trademarks of Apple Inc., registered in the U.S. and other countries.

DISPLAY FUNCTIONS

ITEM	DESCRIPTION
TIME	Workout time displayed during exercise. Range 0:00 ~ 99:59
SPEED	Workout speed displayed during exercise. Range 0.0 ~ 99.9
DISTANCE	Workout distance displayed during exercise. Range 0.0 ~ 99.9

CALORIES	Burned calories during workout display. Range 0 ~ 999
PULSE	Pulse bpm displayed during exercise. Pulse alarm when over preset target pulse.
RPM	Rotation per minute Range 0 ~ 999
WATT	Workout power consumption In Watt Program mode, computer will remain preset watt value (setting range 0~350)
MANUAL	Manual mode workout.
PROGRAM	Beginner, Advance, and Sporty PROGRAM selection.
CARDIO	Target HR training mode.

KEYS

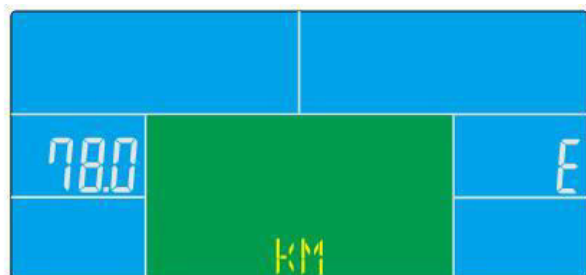
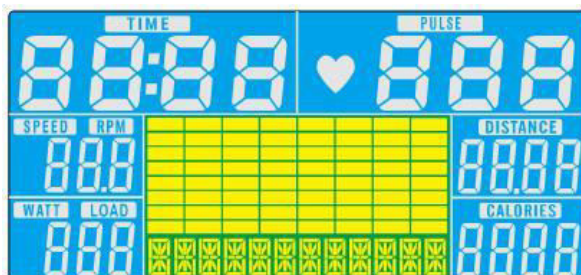
ITEM	DESCRIPTION
Up	<ul style="list-style-type: none"> Increase resistance level Setting selection.
Down	<ul style="list-style-type: none"> Decrease resistance level Setting selection.
Mode	<ul style="list-style-type: none"> Confirm setting or selection.
Reset	<ul style="list-style-type: none"> Hold on pressing for 2 seconds, computer will reboot and start from user setting. Reverse to main menu during presetting workout value or stop mode.
Start/ Stop	<ul style="list-style-type: none"> Start or Stop workout.
Recovery	<ul style="list-style-type: none"> Test heart rate recovery status.
Body fat	<ul style="list-style-type: none"> Test body fat% and BMI.

OPERATION

POWER ON

Plug in power supply, computer will power on and display all segments on LCD for 2 seconds. After 4 minutes without pedaling or pulse input, console will enter into power saving mode.

Press any key may wake the console up.



WORKOUT SELECTION

Press UP and Down to select workout Manual → Beginner → Advance → Sporty → Cardio → Watt

MANUAL MODE

Press START in main menu may start workout in manual mode.



- 1) Press UP or DOWN to select workout program, choose Manual and press Mode to enter.
- 2) Press UP or DOWN to preset TIME, DISTANCE, CALORIES, PULSE and press MODE to confirm.
- 3) Press START/STOP keys to start workout. Press UP or DOWN to adjust load level.
- 4) Press START/STOP keys to pause workout. Press RESET to reverse to main menu.

BEGINNER MODE



- 1) Press UP or DOWN to select workout program, choose Beginner mode and press Mode to enter.
- 2) Press UP or DOWN to preset TIME.
- 3) Press START/STOP key to start workout. Press UP or DOWN to adjust load level.
- 4) Press START/STOP key to pause workout. Press RESET to reverse to main menu.

ADVANCE MODE



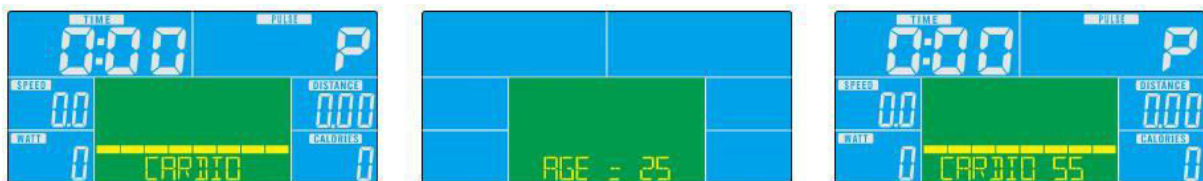
- 1) Press UP or DOWN to select workout program, choose Advance mode and press Mode to enter.
- 2) Press UP or DOWN to preset TIME.
- 3) Press START/STOP key to start workout. Press UP or DOWN to adjust load level.
- 4) Press START/STOP key to pause workout. Press RESET to reverse to main menu.

SPORTY MODE



- 1) Press UP or DOWN to select workout program, choose Sporty mode and press Mode to enter.
- 2) Press UP or DOWN to preset TIME.
- 3) Press START/STOP key to start workout. Press UP or DOWN to adjust load level.
- 4) Press START/STOP key to pause workout. Press RESET to reverse to main menu.

CARDIO MODE



- 1) Press UP or DOWN to select workout program, choose H.R.C. and press Mode to enter.
- 2) Press UP or Down to select 55%.75%.90% or TAG (TARGET H.R.) (default: 100).
- 3) Press UP or DOWN to preset workout TIME.
- 4) Press START/STOP key to start or stop workout. Press RESET to reverse to main menu.

WATT MODE



- 1) Press UP or DOWN to select workout program, choose WATT and press Mode to enter.
- 2) Press UP or DOWN to preset WATT target. (default: 120)
- 3) Press UP or DOWN to preset TIME.
- 4) Press START/STOP key to start workout. Press UP or DOWN to adjust Watt level.
- 5) Press START/STOP key to pause workout. Press RESET to reverse to main menu.

ICONSOLE+TRAINING APP

Turn on Bluetooth on your smart device. Open the iConsole+ Training app and pair your smart device with your console.



NOTE:

- When you start the iConsole+ Training app on your smart device, your console will turn off.
- To turn on the console, turn off the iConsole+ Training app and your Bluetooth on your smart device.

USE

Exercise on the exercise bike is based on very simple movements, but you will surely fall in love with them. Thanks to simplicity of the exercise on the exercise bike in can be done by elderly people. Prior to exercise, it is necessary to adjust the height of the saddle. It is important that you sit comfortably. The bicycle saddle must be set so that you can hold the ergonomically shaped handles when sitting. You should not have fully extended hands. You can damage your muscles.

To ensure a comfortable and comfortable exercise, put your feet on the pedal. Nowadays, all modern pedals are equipped with straps for fastening and stabilizing of the foot. It is important for your foot to be firmly and safely positioned during exercise.

The basis of exercising on a bicycle is that the legs are moving on a specific elliptical path. This movement is very similar to cycling. When doing exercise on a bicycle, you just sit on the saddle with the right height, keep your feet firmly in the pedals, hold the ergonomically shaped handles and exercise.

It is advisable at the beginning to choose a lower load. If you exercise at regular intervals on an exercise bike, you can gradually increase the load. You can increase the load gradually over a week or two weeks. Selecting a high load during the start of training can lead to rapid fatigue and muscle damage.

When exercising, it's important to choose the right load and the right tempo. Try to keep it throughout the exercise. It is not recommended to choose a high pace right from the start. Increase tempo after about a week of regular exercise. The high pace is not equal to the faster burning of calories. Correct calorie burning is reflected in an appropriate and regular exercise. At the beginning of the exercise, the number of burned calories may seem low, but regular and appropriate exercise is the key to achieving the best results.

Exercise on the exercise bike also leads to the formation of muscles. It is mainly used to strengthen the thigh and calf muscles. While exercising on a bicycle, you also move your buttocks.

If you want to exercise right, you should not forget to breathe properly. Proper and regular breathing is recommended in any exercise. It is important to keep regular deep inhales and exhales. Regular and proper breathing during exercises on the exercise bike involves intense exercise of the abdominal muscles. It is advisable to practice 30-35 after consuming food. Failure to do so may result in less calories burned, and in older age even lead to digestive problems.

For best results, you should also consider your diet. It is recommended to start a day of eating sweet food and pastries or muesli with milk. For lunch is recommended to eat a caloric richer meal. Do not forget about the soup. In the evening, light meals are recommended. If you want to improve your health, it's not just a regular exercise but a whole diet.

Bicycle exercise is an effective exercise for all busy people. Exercise on the exercise bike is effective in strengthening muscles, especially thighs, calves and buttocks. Regular exercise can lead to a

slimmer figure. Exercise is recommended not only as a winter training for cyclists but also for people who want to burn excess calories. Regular breathing, regular exercise, reasonable tempo, and balanced diet can lead to your desired results.

CORRECT BODY POSTURE

When training, keep your body upright, or you can learn your hand on your forearms. During pedaling, you should not have your legs fully extended. Your knees should be slightly bent when fully pressing down the pedal. Keep your head straight with your spine to minimize the pain of the cervical muscles and upper back muscles. Always exercise fluently and rhythmically.

MAINTENANCE

- When assembling, tighten all screws and adjust the bike to the horizontal position.
- Check the screws after 10 hours of use.
- Wipe the sweat after the exercise. Clean the device with a cloth and gentle cleanser. Do not use solvents or aggressive cleaners on the plastic parts.
- When noise is increased, it is necessary to check that all joints are tightened properly.
- Place the product in a clean, ventilated and dry room.
- Do not expose the device to direct sunlight.

STORAGE

Keep the exercise bike in a clean and dry environment. Make sure the power switch is turned off and the exercise bike is not plugged into the power socket.

IMPORTANT NOTICE

- This exercise bike comes with standard safety regulations and is only suitable for home use. Any other use is prohibited and may be dangerous to users. We are not responsible for any injury caused by improper and forbidden use of the machine.
- Consult your doctor before starting training on the exercise bike. Your doctor should evaluate whether you are physically fit to use the machine and how much effort you are able to undergo. Incorrect exercise or switching of the body can harm your health.
- Carefully read the following tips and exercises. If you experience pain, nausea, breathing, or other health problems during exercise, immediately stop the exercise. If the pain persists, contact your doctor immediately.
- This exercise bike is not suitable as a professional or medical purpose. It can also not be used for healing purposes.
- The heart rate monitor is not a medical device. It provides only approximate information about your average heart rate, and any suggested pulse rate is not medically binding. Accumulated data may not always be accurate regarding uncontrollable human and environmental factors.

ENVIRONMENT PROTECTION

After the product lifespan expired or if the possible repairing is uneconomic, dispose it according to the local laws and environmentally friendly in the nearest scrapyard.

By proper disposal you will protect the environment and natural sources. Moreover, you can help protect human health. If you are not sure in correct disposing, ask local authorities to avoid law violation or sanctions.

Don't put the batteries among house waste but hand them in to the recycling place.

TERMS AND CONDITIONS OF WARRANTY, WARRANTY CLAIMS

General Conditions of Warranty and Definition of Terms

All Warranty Conditions stated hereunder determine Warranty Coverage and Warranty Claim Procedure. Conditions of Warranty and Warranty Claims are governed by Act No. 89/2012 Coll. Civil Code, and Act No. 634/1992 Coll., Consumer Protection, as amended, also in cases that are not specified by these Warranty rules.

The seller is SEVEN SPORT s.r.o. with its registered office in Borivojova Street 35/878, Prague 13000, Company Registration Number: 26847264, registered in the Trade Register at Regional Court in Prague, Section C, Insert No. 116888.

According to valid legal regulations it depends whether the Buyer is the End Customer or not.

“The Buyer who is the End Customer” or simply the “End Customer” is the legal entity that does not conclude and execute the Contract in order to run or promote his own trade or business activities.

“The Buyer who is not the End Customer” is a Businessman that buys Goods or uses services for the purpose of using the Goods or services for his own business activities. The Buyer conforms to the General Purchase Agreement and business conditions.

These Conditions of Warranty and Warranty Claims are an integral part of every Purchase Agreement made between the Seller and the Buyer. All Warranty Conditions are valid and binding, unless otherwise specified in the Purchase Agreement, in the Amendment to this Contract or in another written agreement.

Warranty Conditions

Warranty Period

The Seller provides the Buyer a 24 months Warranty for Goods Quality, unless otherwise specified in the Certificate of Warranty, Invoice, Bill of Delivery or other documents related to the Goods. The legal warranty period provided to the Consumer is not affected.

By the Warranty for Goods Quality, the Seller guarantees that the delivered Goods shall be, for a certain period of time, suitable for regular or contracted use, and that the Goods shall maintain its regular or contracted features.

The Warranty does not cover defects resulting from (if applicable):

- User's fault, i.e. product damage caused by unqualified repair work, improper assembly, insufficient insertion of seat post into frame, insufficient tightening of pedals and cranks
- Improper maintenance
- Mechanical damages
- Regular use (e.g. wearing out of rubber and plastic parts, moving mechanisms, joints etc.)
- Unavoidable event, natural disaster
- Adjustments made by unqualified person
- Improper maintenance, improper placement, damages caused by low or high temperature, water, inappropriate pressure, shocks, intentional changes in design or construction etc.

Warranty Claim Procedure

The Buyer is obliged to check the Goods delivered by the Seller immediately after taking the responsibility for the Goods and its damages, i.e. immediately after its delivery. The Buyer must check the Goods so that he discovers all the defects that can be discovered by such check.

When making a Warranty Claim the Buyer is obliged, on request of the Seller, to prove the purchase and validity of the claim by the Invoice or Bill of Delivery that includes the product's serial number, or eventually by the documents without the serial number. If the Buyer does not prove the validity of the Warranty Claim by these documents, the Seller has the right to reject the Warranty Claim.

If the Buyer gives notice of a defect that is not covered by the Warranty (e.g. in the case that the Warranty Conditions were not fulfilled or in the case of reporting the defect by mistake etc.), the Seller

is eligible to require a compensation for all the costs arising from the repair. The cost shall be calculated according to the valid price list of services and transport costs.

If the Seller finds out (by testing) that the product is not damaged, the Warranty Claim is not accepted. The Seller reserves the right to claim a compensation for costs arising from the false Warranty Claim.

In case the Buyer makes a claim about the Goods that is legally covered by the Warranty provided by the Seller, the Seller shall fix the reported defects by means of repair or by the exchange of the damaged part or product for a new one. Based on the agreement of the Buyer, the Seller has the right to exchange the defected Goods for a fully compatible Goods of the same or better technical characteristics. The Seller is entitled to choose the form of the Warranty Claim Procedures described in this paragraph.

The Seller shall settle the Warranty Claim within 30 days after the delivery of the defective Goods, unless a longer period has been agreed upon. The day when the repaired or exchanged Goods is handed over to the Buyer is considered to be the day of the Warranty Claim settlement. When the Seller is not able to settle the Warranty Claim within the agreed period due to the specific nature of the Goods defect, he and the Buyer shall make an agreement about an alternative solution. In case such agreement is not made, the Seller is obliged to provide the Buyer with a financial compensation in the form of a refund.



Office:	Русе, ул. "ТЕЦ Изток" 20
Phone:	070080020 / 09897612190
E-mail:	office@yako.bg
Web:	www.insportline.bg